

W500 Interior Landscape Light

175W LED / 35°



ORDERING GUIDE

KSW500N - - - - -

Spectrum

AMZ Amazon Sun (4000-6500K)

Finish

WH White
BK Black

Mount

TG w/ G-type Track Adapter
TEX w/ E-type DMX Track Adapter
CLP w/ Clamp Mount

Power Supply & Control

PS Power Supply
PSX Power Supply w/ DMX (only with TEX mount)

Plug/Connection

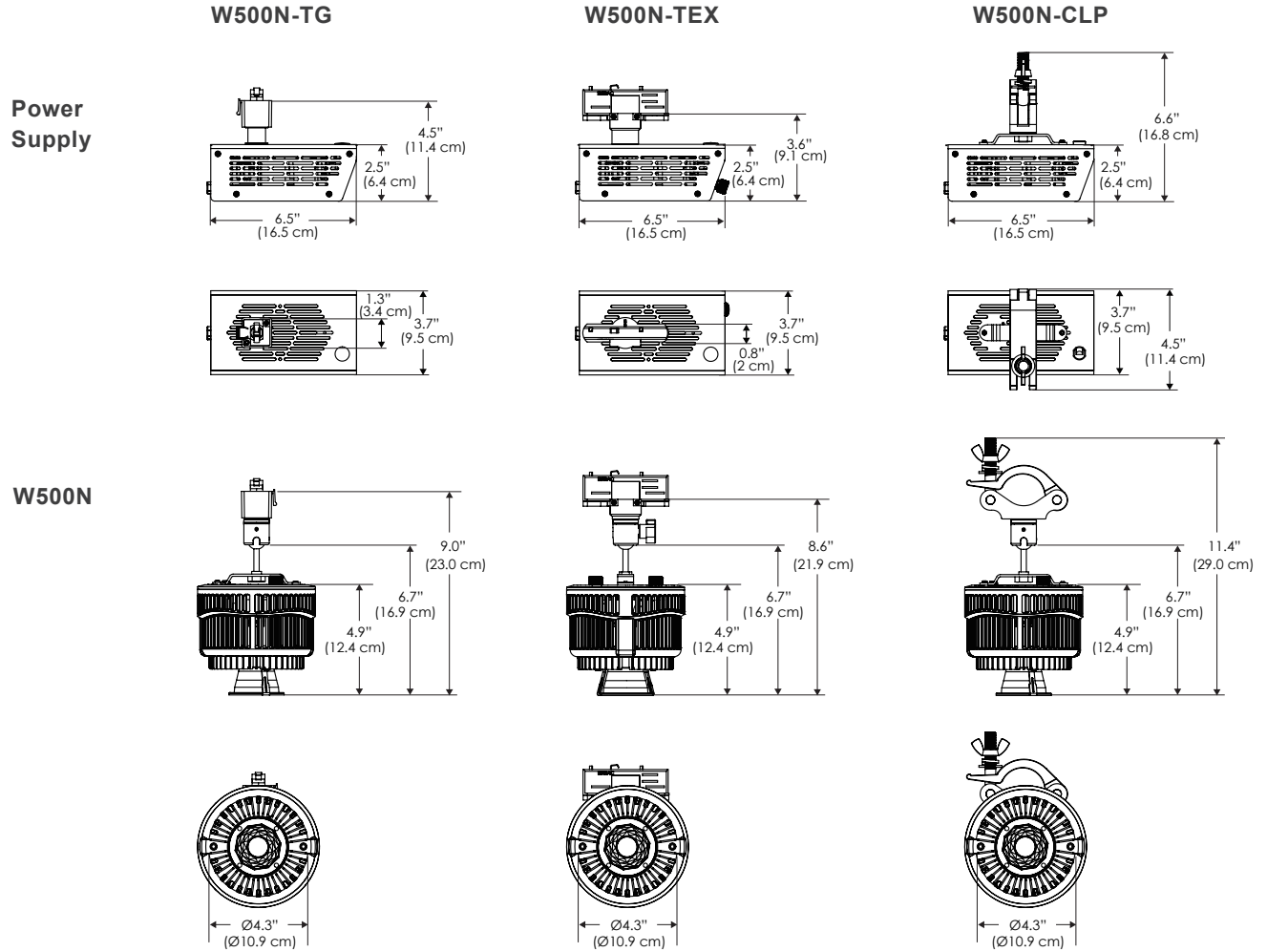
US US 120V
EU EU 220V

- Plant-Focused Light Spectrum
- High-Intensity Point Source LED
- Low-Profile
- DMX Controllable
- Also Available with Other Optics

SPECIFICATIONS

Beam Angle	35°
Spectrum Type	Plant Flourish & Growth
Control	Intensity (100%-0%), CCT
LED Source	DiCon Dense Matrix LED
Power Draw	175W Max
AC Input Voltage	100-240VAC, 60Hz
Cooling	Fan Cooled
Operating Temperature	32-104°F (0-40°C)
Fixture Weight	3.6lb (~1.6kg)
Power Supply Weight	1.2lb (~0.5kg)

MECHANICAL FIGURES



PHOTOMETRIC DATA

W500N

Distance		15' [~4.6 m]	20' [~6.1 m]	25' [~7.6 m]
@4000K	fc	57	29	19
	lux	617	316	202
@6500K	fc	57	29	19
	lux	618	316	202
Beam Diameter		$\varnothing 11.7'$ [3.6 m]	$\varnothing 15.5'$ [4.7 m]	$\varnothing 19.4'$ [5.9 m]

