

W500 Interior Landscape Light

175W LED / 55°



ORDERING GUIDE

KSW500B - - - - -

Spectrum

AMZ Amazon Sun (4000-6500K)

Finish

WH White
BK Black

Mount

TG w/ G-type Track Adapter
TEX w/ E-type DMX Track Adapter
CLP w/ Clamp Mount

Power Supply & Control

PS Power Supply
PSX Power Supply w/ DMX (only with TEX mount)

Plug/Connection

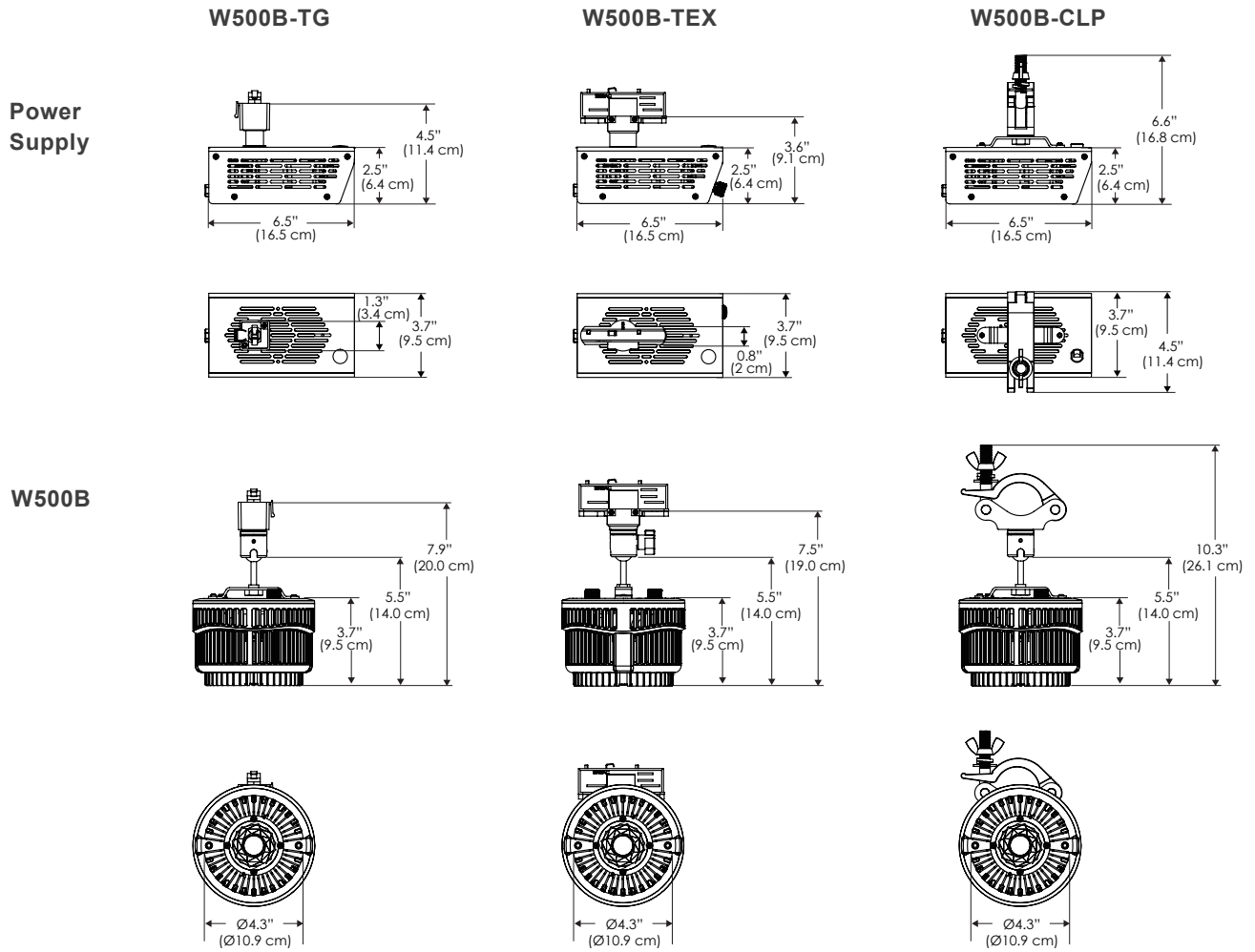
US US 120V
EU EU 220V

- Plant-Focused Light Spectrum
- High-Intensity Point Source LED
- Low-Profile
- DMX Controllable
- Also Available with Other Optics

SPECIFICATIONS

Beam Angle	55°
Spectrum Type	Plant Flourish & Growth
Control	Intensity (100%-0%), CCT
LED Source	DiCon Dense Matrix LED
Power Draw	175W Max
AC Input Voltage	100-240VAC, 60Hz
Cooling	Fan Cooled
Operating Temperature	32-104°F (0-40°C)
Fixture Weight	3.6lb (~1.6kg)
Power Supply Weight	1.2lb (~0.5kg)

MECHANICAL FIGURES



PHOTOMETRIC DATA

W500B

Distance		8' [~2.4 m]	12' [~3.7 m]	15' [~4.6 m]
@4000K	fc	117	58	39
	lux	1258	628	421
@6500K	fc	117	58	39
	lux	1260	628	422
Beam Diameter		Ø 7' [2.1 m]	Ø 10.4' [3.2 m]	Ø 13' [4 m]

