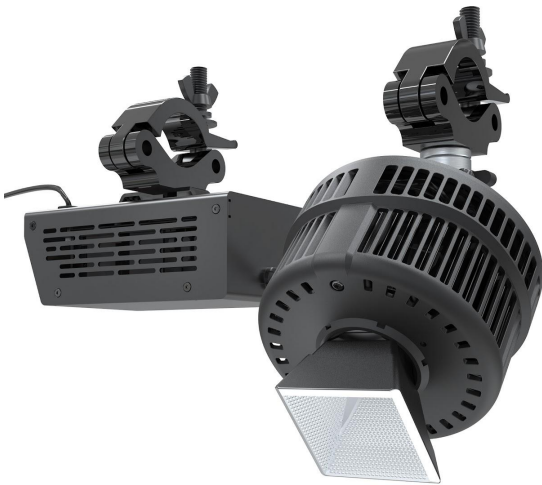


W500 Interior Landscape / Aquascape Light

175W LED / Wall Wash



- Plant / Coral Focused Light Spectrum
- High-Intensity Point Source LED
- Low-Profile
- DMX Controllable
- Also Available with Other Optics

ORDERING GUIDE

KSW500W - - - - -

Spectrum

AMZ Amazon Sun (4000 - 6500K)
TB Tuna Blue (10000 - 20000K)

Finish

WH White
BK Black

Mount

TOX w/ O-type DMX Track Adapter
TON w/ O-type Non-DMX Track Adapter
CLP w/ Clamp Mount
TG w/ G-type Track Adapter
TEX w/ E-type DMX Track Adapter Legacy product

Power Supply & Control

PS Power Supply
● **US** ● **EU**
PSX Power Supply w/ DMX
 (compatible with TOX/TEX/CLP mount)
● **US** ● **EU** ● **277**

Plug/Connection

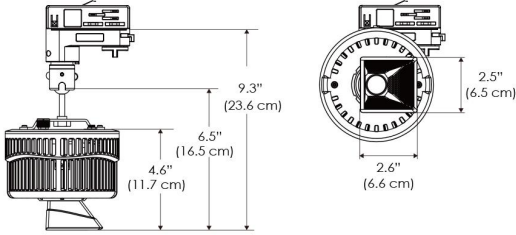
US US 120V
EU EU 220V
277 US 277V (only with CLP + PSX)

SPECIFICATIONS

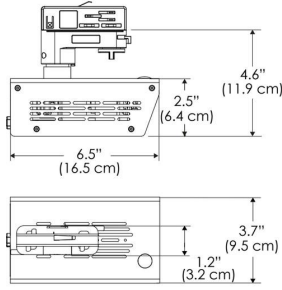
Beam Angle	Wall Wash
Spectrum Type	AMZ : Plant Flourish & Growth
	TB : Coral Health & Growth
Control	Intensity (0% - 100%), CCT
LED Source	DiCon Dense Matrix LED
Power Draw	175W max
AC Input Voltage	100 - 240V AC, 60Hz
	100 - 277V AC (only CLP + PSX)
Cooling	Fan Cooled
Operating Temperature	32 - 104°F (0 - 40°C)
Fixture Weight	1.5lb (~0.7kg)
Power Supply Weight	1.6lb (~0.7kg)

MECHANICAL FIGURES

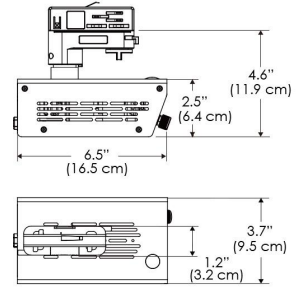
W500W-TOX/TON



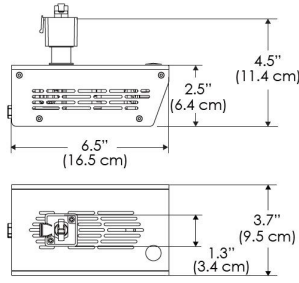
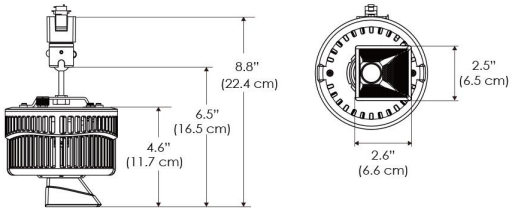
PS



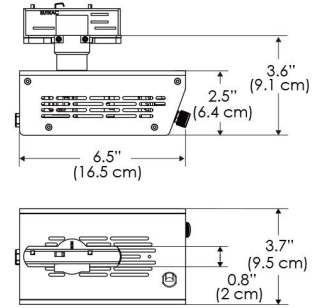
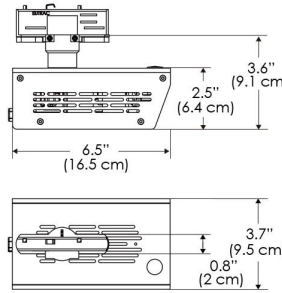
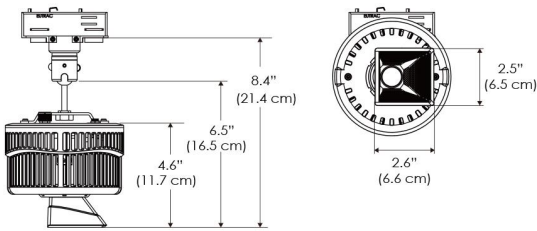
PSX



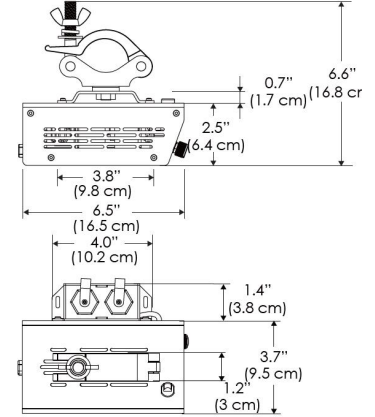
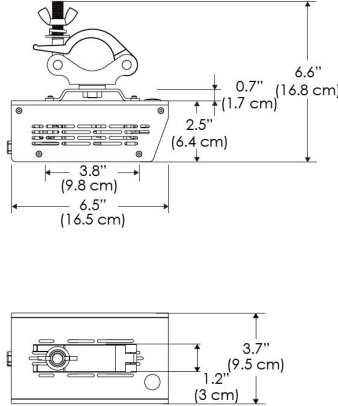
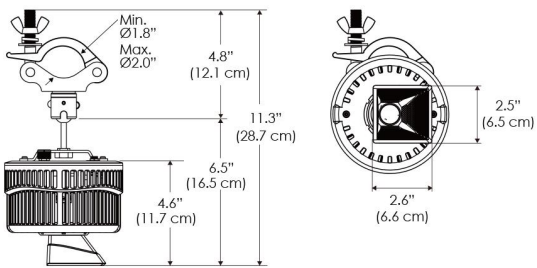
W500W-TG



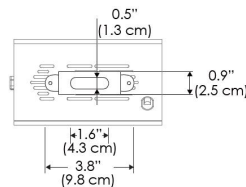
W500W-TEX



W500W-CLP



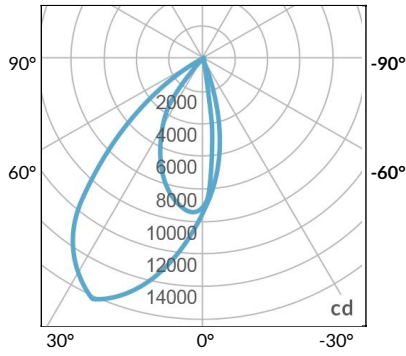
Mounting Bracket Dimensions ALL-CLP



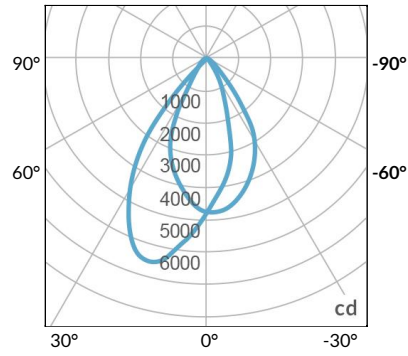
*All -CLP configuration models come with standard DC cables of 6 inches and AC cables of 10 ft.

PHOTOMETRIC DATA

AMZ



TB



DMX FOOTPRINT

Amazon Sun		
Channel	1	Intensity
	2	CCT (4000-6500k)

Tuna Blue		
Channel	1	Intensity
	2	CCT (10000-20000k)
	3	Violet
	4	Red
	5	Green