

# W2K Interior Landscape / Aquascape Light

## 720W LED / 30°



### ORDERING GUIDE

**KSW2KN** -  -  -  -  -

#### Spectrum

**AMZ** Amazon Sun (4000 - 6500K)

**TLB** Tuna Light Blue  
(8000 - 14000K)

#### Finish

**WH** White

**BK** Black

#### Mount

**CLP** Clamp + Yoke

**PVT** Pivot Mount

#### Power Supply & Control

**PSX** Power Supply w/ DMX (compatible with CLP mount)

#### Plug/Connection

**US** US 120V

**EU** EU 220V

**277** US 277V (only with CLP + PSX)

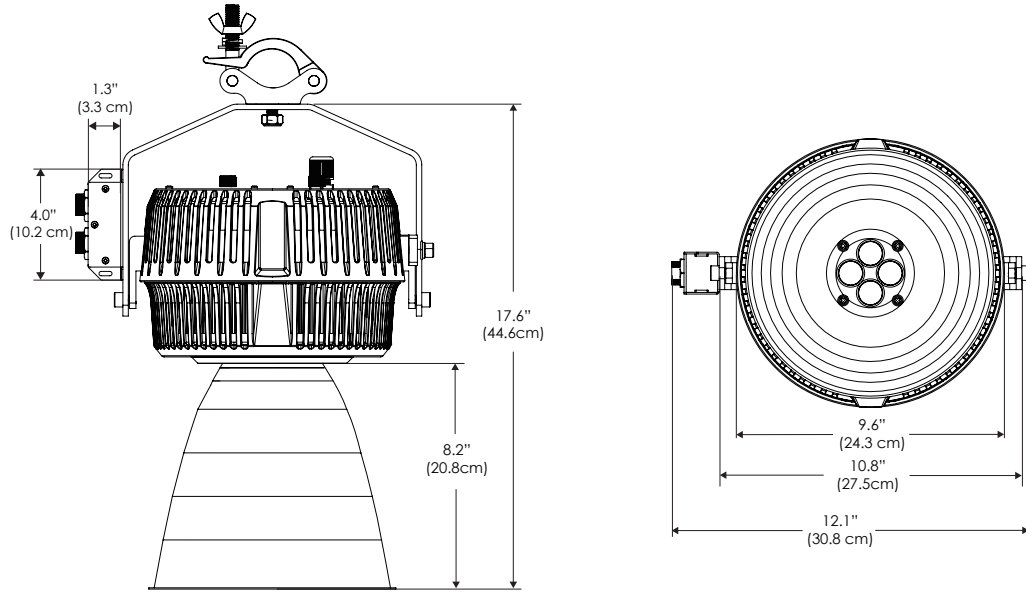
### SPECIFICATIONS

Beam Angle	30°
Spectrum Type	AMZ : Plant Flourish & Growth TLB : Coral Health & Growth
Control	Intensity (0% - 100%), CCT
LED Source	DiCon Dense Matrix LED
Power Draw	720W AC Max
AC Input Voltage	100 - 277V AC, 60Hz
Cooling	Fan Cooled
Operating Temperature	32 - 104°F (0 - 40°C)
Fixture Weight	8.6lb (~3.9kg)
Power Supply Weight	100 - 240v 7.5lb (~3.4kg) 100 - 277v 14.1lb (~6.4kg)

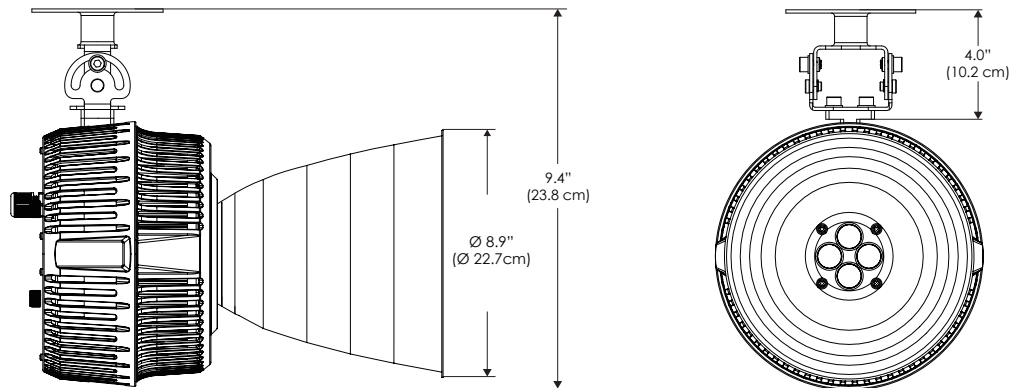
- Plant / Coral Focused Light Spectrum
- High-Intensity Point Source LED
- Low-Profile
- DMX Controllable
- Also Available with Other Optics

## MECHANICAL FIGURES

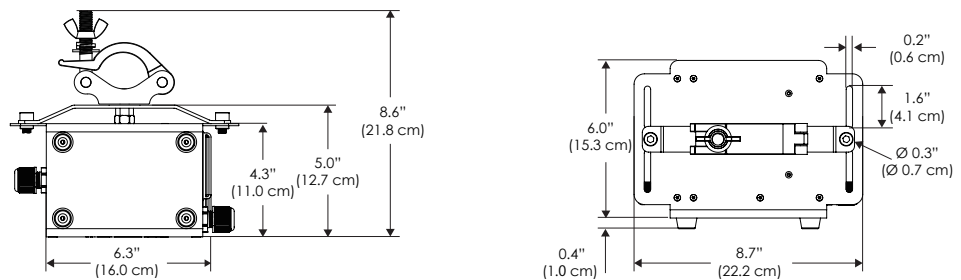
### W2KN-CLP



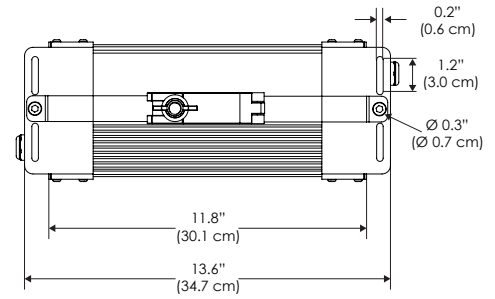
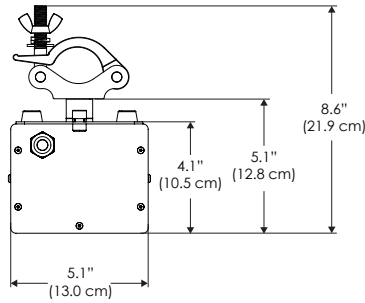
### W2KN-PVT



### Power Supply 100-240V PSU



**Power Supply  
100-277V PSU**

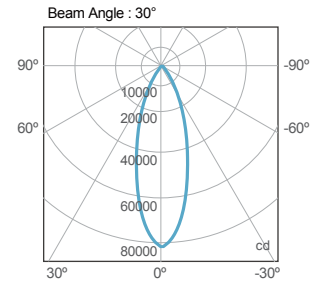


**PHOTOMETRIC DATA**

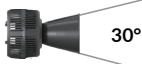
**AMZ**



Distance		5' [~1.5 m]	10' [~3.0 m]	15' [~4.6 m]
@4000K	<b>fc</b>	<b>4131</b>	<b>999</b>	<b>501</b>
	<b>lux</b>	<b>44464</b>	<b>2866</b>	<b>5388</b>
@6500K	<b>fc</b>	<b>4199</b>	<b>1016</b>	<b>509</b>
	<b>lux</b>	<b>45203</b>	<b>10936</b>	<b>5477</b>
Beam Diameter		Ø 2.4' [0.7 m]	Ø 4.8' [1.5 m]	Ø 7.1' [2.2 m]



**TLB**



Distance		5' [~1.5 m]	10' [~3.0 m]	15' [~4.6 m]
@8000K	<b>fc</b>	<b>1718</b>	<b>401</b>	<b>200</b>
	<b>lux</b>	<b>18493</b>	<b>4313</b>	<b>2157</b>
@14000K	<b>fc</b>	<b>3549</b>	<b>852</b>	<b>426</b>
	<b>lux</b>	<b>38201</b>	<b>9176</b>	<b>4589</b>
Beam Diameter		Ø 2.4' [0.7 m]	Ø 4.8' [1.5 m]	Ø 7.1' [2.2 m]

