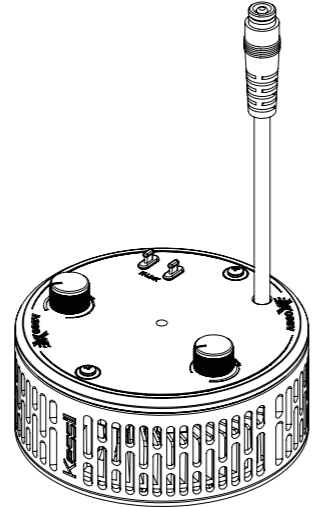


Kessil
LED Aquarium Light

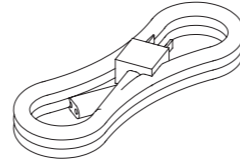
A360 XE
Tuna Blue | Tuna Sun



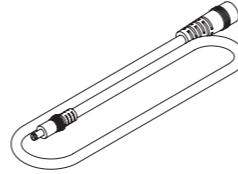
Inside the Box



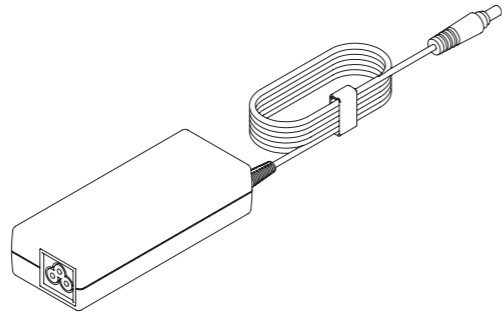
A360XE x 1



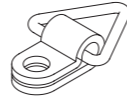
AC Adapter Cable (6 feet) x 1



DC Power Extension Cable (6 feet) x 1



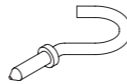
Power Adapter x 1



Hanging Bracket x 2

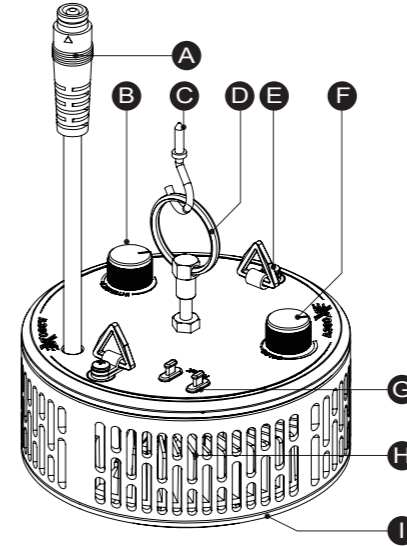


Hanging Ring x 1



Screw Hook x 2

Parts Diagram



- A** Power Cord
- B** Intensity Tuning Knob
- C** Screw Hook
- D** Hanging Ring
- E** Hanging Bracket
- F** Color Tuning Knob
- G** K-Link
- H** Venting Holes
- I** Lens


Safety Instructions


1. DO NOT use a power adapter that is out of the specifications. This is a fire hazard and may lead to unit failure.
2. DO NOT use outdoors. This unit is intended for indoor use only.
3. DO NOT expose unit to an extremely humid environment or submerge unit in water. This may lead to unit failure.
4. DO NOT place working illuminator in close contact with any objects. This may cause objects to heat up and the unit to overheat.
5. KEEP Lens (I) away from sharp objects. Sharp objects may break the lens and lead to unit failure.
6. DO NOT cover or place objects on the power adapter. Power adapter should not be contained in an airtight space.

Instructions de Sécurité

1. N'utilisez PAS une source d'alimentation qui est en dehors des spécifications. Ceci constitue un risque d'incendie et peut entraîner une défaillance de l'unité.
2. NE PAS utiliser à l'extérieur. Cette unité est destinée à une utilisation en intérieur uniquement.
3. NE PAS exposer l'appareil à un environnement extrêmement humide ou immerger l'appareil dans l'eau. Cela peut entraîner une défaillance de l'unité.
4. NE placez PAS l'illuminateur de travail en contact étroit avec des objets. Cela peut provoquer un échauffement des objets et une surchauffe de l'appareil.
5. GARDEZ l'objectif (I) à l'écart des objets pointus. Des objets pointus peuvent casser l'objectif et entraîner une défaillance de l'unité.
6. NE PAS couvrir ou placer d'objets sur l'alimentation électrique. L'alimentation ne doit pas être contenue dans un espace étanche à l'air.



 kessil.led

 kessiltube

 @kessil

 @kessilled

 kessil.com

Kessil Lighting

A DiCon Brand

1689 Regatta Blvd, Richmond, CA 94804

(510) 620-5250

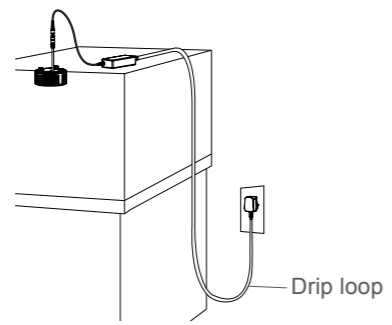
www.kessil.com

This is a LED light source emitting 40 % or more of total radiation power of the range 250-800 nm in the range of 400-480 nm, and intended for coral growth.

Getting Started

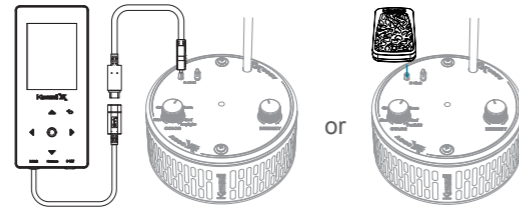
Step 1 Power

Connect the A360XE to the power adapter, ensuring a drip loop is properly used before plugging it into a wall outlet. Turn the Intensity Tuning Knob (B) to the right to turn on the light.



Step 2 Control

- Turn the Intensity Tuning Knob (B) to adjust the brightness of the fixture.
- Turn the Color Tuning Knob (F) to adjust the light to the desired color.
- A360XE can be connected and controlled through Kessil Spectral Controller X with a Type-C USB Cable (K-Link Cable), or through the WiFi Dongle.

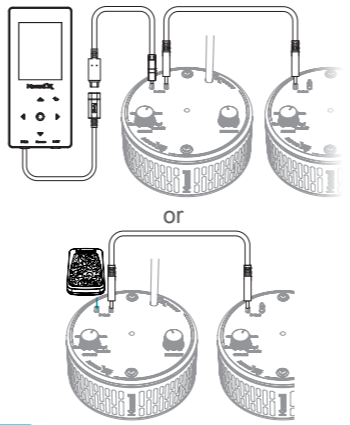


(Controller X not included)

(WiFi Dongle not included)

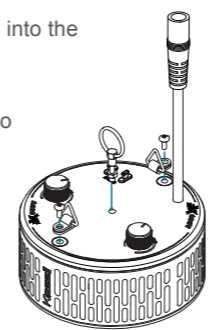
Step 3 Controlling Multiple A360XE

- Connect two or more lights with K-Link Cables as shown in the image.
- Multiple A360XE lights (Tuna Blue, Tuna Sun, and Refugium) can be controlled together by either manually, an external controller, or the WiFi Dongle.
- When controlling without an external controller or WiFi Dongle, tuning controls on any light control all other lights in chain.



Step 4 Mounting

- Screw the Hanging Ring (D) into the center screw hole.
- Hang the light with the two Screw Hooks (C) and the two Hanging Brackets (E).
- To install the Hanging Brackets (E), remove the screws on the A360XE, use the same screws to secure the fasteners with triangular rings onto the light fixture.



Maintenance

1. Keep the air intake holes, Venting Holes (H), and fan clear of dust. To clean the fan, unplug the unit and insert the tip of a CO2 dust blower (or similar dust blower) in one of the Venting Holes (H) on the unit's outer shell. Hold and spray. You can also gently vacuum out the light through the venting holes.
2. Keep the Lens (I) clean. If the lens becomes contaminated with water, dust, or other particles, unplug the unit and clean the lens with isopropyl alcohol. Wet a cotton swab or a napkin in isopropyl alcohol, gently wipe the surface of the lens, and let it dry.
3. Keep plastic covers for K-Link ports plugged in when the ports are not in use. Keep the ports clean all the time.

Troubleshooting Guide

Please make sure to perform maintenance before doing any troubleshooting.

| Problem | Cause / Solution |
|-----------------------|---|
| Light doesn't turn ON | Make sure the unit is connected to the power adapter and the power adapter is plugged into an outlet with the correct specifications. |
| | Make sure the power adapter has the right specifications. |
| | Make sure electrical power is available to the AC outlet being used. |
| Unit is flickering | Make sure the device is operating within the specified operating temperature range. If unit overheats, it will automatically shut down. |
| | Make sure the power adapter has the right specifications. |
| | Make sure the unit has not overheated by operating at a room temperature above 100°F/40°C. |
| | Make sure the fan is operating properly. |

Product Specification & Certification

| Illuminator | | Listed Power Adapter | |
|-------------------|---------|----------------------|----------------------------------|
| Power Consumption | 90W MAX | Input | 100-240 VAC, 47-63 Hz, 1.5 A MAX |
| Input Voltage | 19 VDC | Output | 19 VDC, 4.74A |



