

G-Series G250 LED FOR LIGHT GUIDE ILLUMINATORS

OVERVIEW

The G250 is the brightest light guide illuminator ScopeLED offers. It is designed to meet the high light output demands of macro zoom as well as life science and industrial microscopy applications. We have engineered even more LED chips into our Dense Matrix LED™ Array to maximize light output while still maintaining the compact and economical design that is characteristic of all ScopeLED products. These densely organized LEDs couple light efficiently into more intensity than that of a standard QH-150W EKE halogen illuminator. And with more than 30,000 hours of LED lifetime regardless of intensity, it will last many times longer. The G250 Series is offered in either a table top or pole mount configuration. These models accept most existing light guides, which can be readily incorporated into your system.

Whether your application is biomedical or physical science examination, device inspection, long working distance testing, or assembly, the ScopeLED G250 illuminator will provide the reliable and bright light you need, and in the compact form you want. Furthermore, if your application requires colors or correlated color temperature (CCTs) that are not covered by our standard models, simply contact us and we will be happy to work with you on a custom built color G250. ScopeLED provides optional light guides and ring lights for a complete illumination system.

Applications include machine vision, visual inspection, forensics, biology, and microscopy.

FEATURES

- 550 Lumen output at 3000K through 1m of an 8mm diameter light guide
- 700 Lumen output at 4300K through 1m of an 8mm diameter light guide
- 750 Lumen output at 5600K through 1m of an 8mm diameter light guide
- 750 Lumen output at 6500K through 1m of an 8mm diameter light guide
- External 0-6VDC control model: Dimmable down to 0.5% of maximum optical output
- Several Single-CCT models available: 3000K, 4300K, 5600K, 6500K, and customized
- Optional universal fiber mounting adapter compatible with most light guides
- Bright and efficient Dense Matrix LED™ Array optimized for light guides
- Table top and pole mount configurations
- Minimal heat and quiet operation
- Easy to use intensity control knob
- No UV or IR emission radiation
- Stable output at all intensities
- Modern, space saving design
- 30,000 hours of LED lifetime



OPTICAL PERFORMANCE

Single Color

Typical CCT/Color Settings	8mm Light Guide	
	Radiant Flux (mW)	Luminous Flux (Lm)
3000K	1950	550
4300K	2300	700
5600K	2350	750
6500K	2350	750

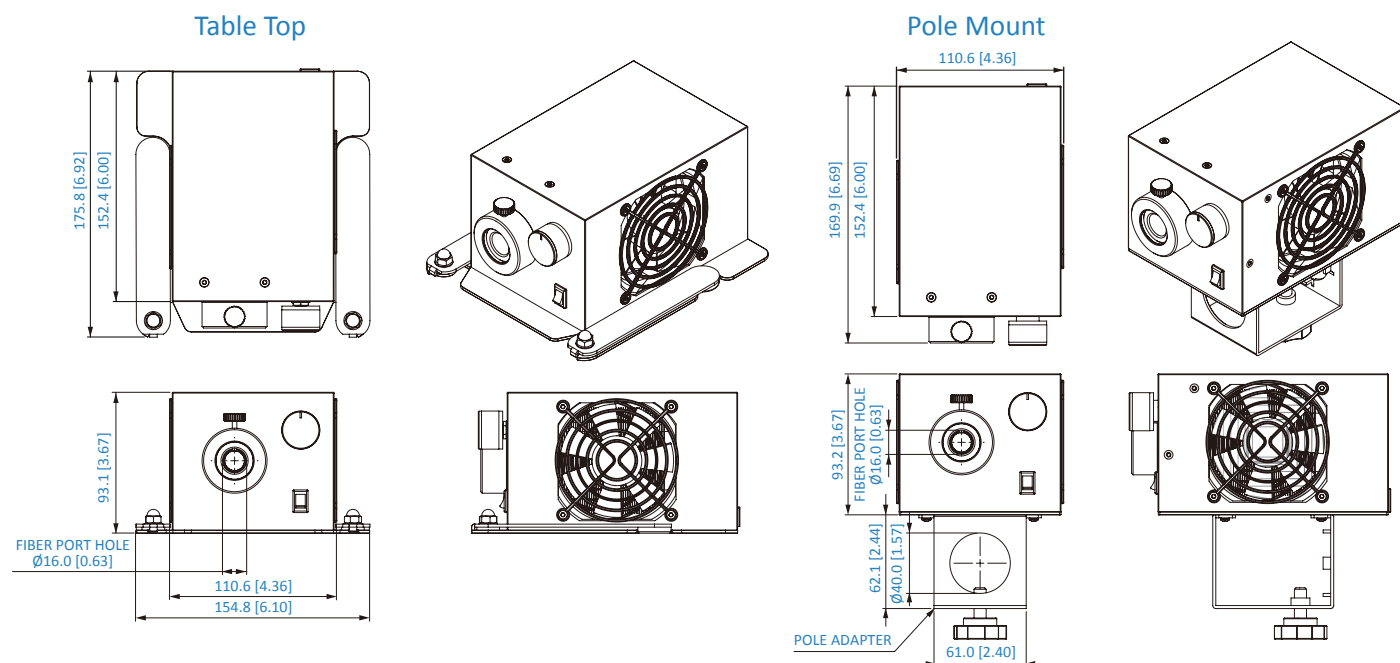
* Results were measured at the output of a 1 meter long, 8 millimeters light guide and may vary based on a number of optical conditions.

SPECIFICATIONS/RATINGS

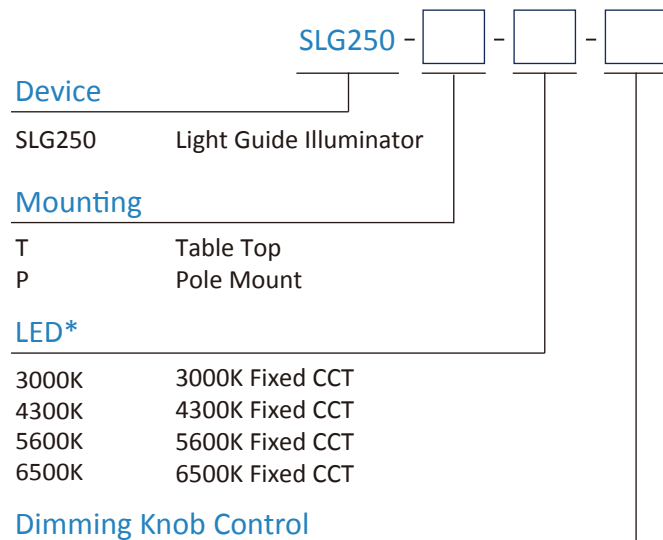
Supply Voltage	24VDC
Input Current	5A max
Maximum Power Consumption	110W
Operating Temperature	0°C to 40°C
Storage Temperature	-20°C to 75°C
Humidity	10% to 90%
Model Weight: Table Top	3.24 lbs
Model Weight: Pole Mount	2.73 lbs

MECHANICAL DIMENSION

Unit: mm [inch]



ORDERING INFORMATION



Dimming Knob Control

KNB	Dimming Knob
0-6V	External 0-6VDC Control

Accessories (Optional)

SLAG-BIFR	20-Inch Bifurcated Gooseneck Light Guide with Focusing Lenses
SLAG-PA32	Pole Mount Adapter (40mm to 32mm)
SLAG-PACU	Pole Mount Adapter (40mm to Custom Size)
SLAG-RING	36-Inch Fiber Optic Ring Light
SLAG-EXT15	Extends Warranty on Item for One Additional Year

* Please contact ScopeLED for customized wavelengths or spectrums.