

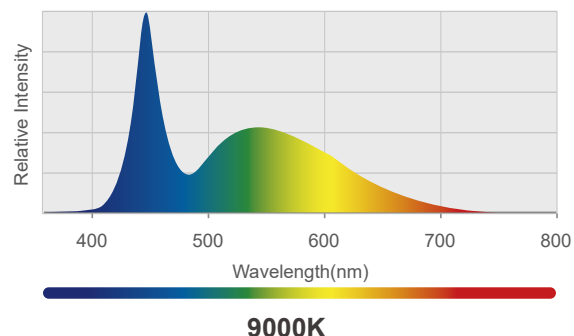
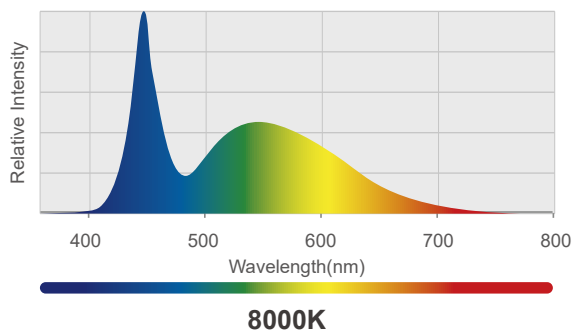
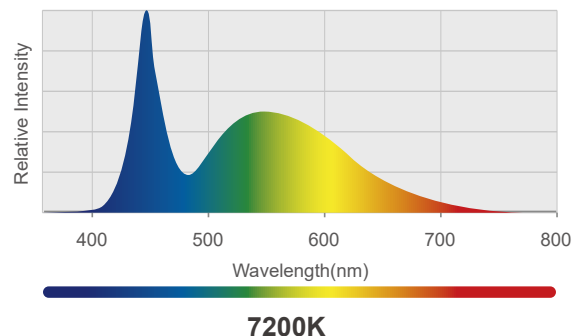
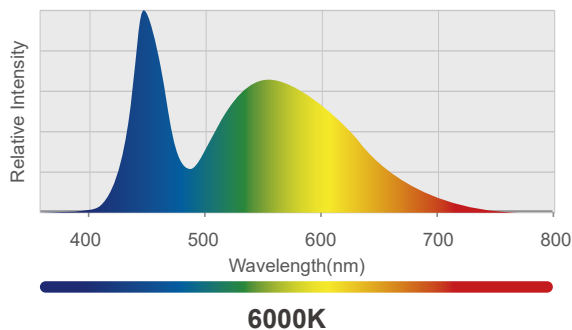
T360 Tuna Sun LED Track Grow Light

Full Spectrum, Tunable CCT, High Yield



Power Consumption	85WAC Max.
Input Voltage	120VAC / 60Hz
LED Source	DiCon's Dense Matrix LED
Dimensions (w/ barndoors)	L12 1 ¹ / ₂ " x W 8 1 ³ / ₄ " x H 11 1 ¹ / ₂ " L320mm x W208 mm x H295 mm
Dimensions (w/o barndoors)	L 8 1 ¹ / ₂ " x W 8 1 ³ / ₄ " x H 7 1 ¹ / ₂ " L213mm x W208 mm x H190 mm
Light Body Material/Finish	Plastic / Black or White
Weight (w/ barndoors)	2.98 lbs / 1.35 kg
Weight (w/o barndoors)	2.76 lbs / 1.25 kg
Thermal	Advanced Heat Sink Cooling
Heat Value	232.55 BTU/hr
Acoustic Noise	< 21dB
Operating Temp	32 - 104°F / 0 - 40°C
Color Temperature	6,000K - 9,000K
Dimming	2 - 100%
Control	Manual, DMX
Display	OLED Screen
Installation	EUTRAC Track
Applications	Living Walls, Public Aquariums, Aquaculture

OPTICAL SPECTRUM



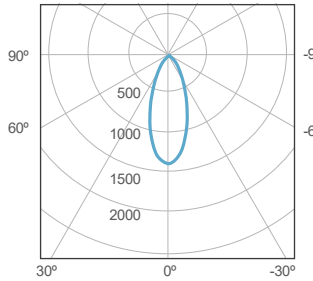
LIGHT DISTRIBUTION IN LUX



BEAM PROFILE

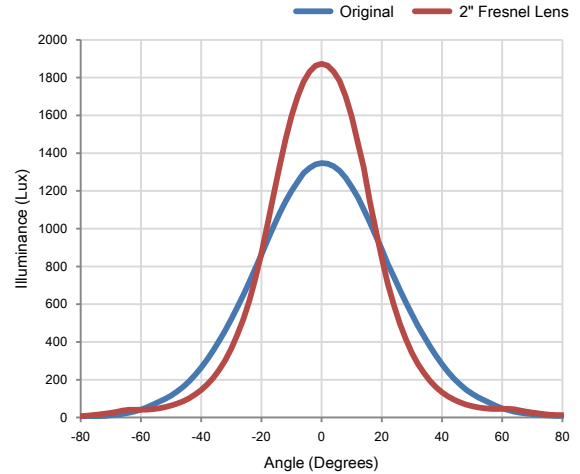
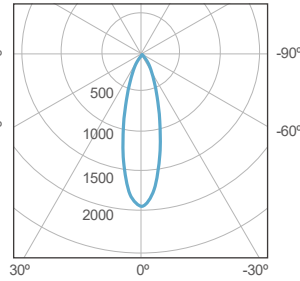
T360 Original

Beam Angle ϕ : 51.4°



T360 2" Fresnel Lens

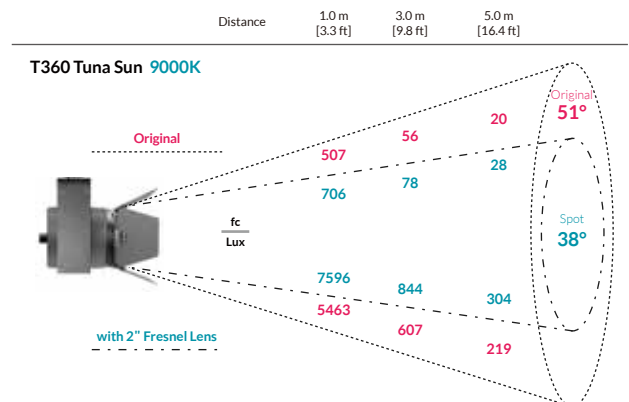
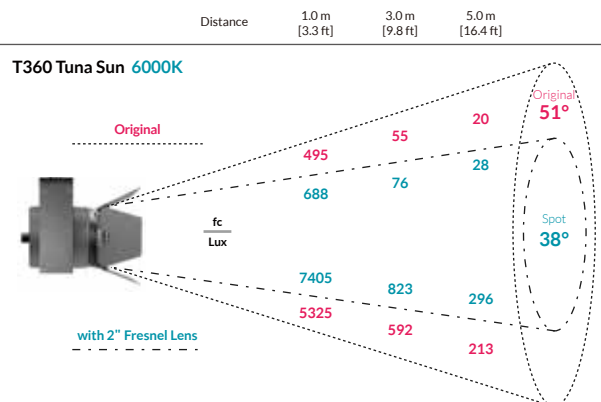
Beam Angle ϕ : 37.9°



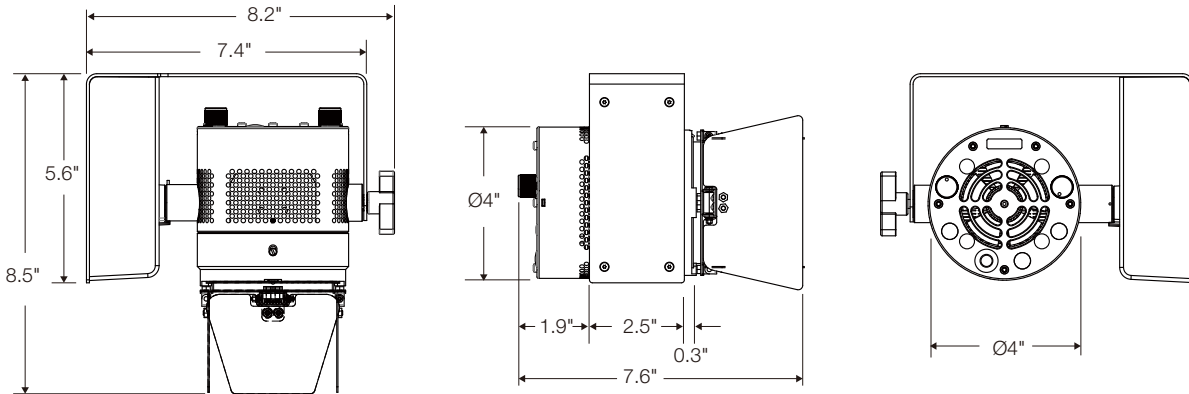
ILLUMINATION TABLE

Tuna Sun	Status	Beam Angle	meter	1	2	3	5	7
			ft.	3.3	6.6	9.8	16.4	23.0
6000K	T360 (Original)	51°	Center Foot Candles (fc) [Center Lux]	495	124	55	20	10
				[5325]	[1331]	[592]	[213]	[910]
	T360 (2" Fresnel Lens)	38°		688	172	76	28	14
				[7405]	[1851]	[823]	[296]	[151]
9000K	T360 (Original)	51°		507	127	56	20	10
				[5463]	[1366]	[607]	[219]	[111]
	T360 (2" Fresnel Lens)	38°		706	176	78	28	14
				[7596]	[1899]	[844]	[304]	[155]

ILLUMINATION CHART



MECHANICAL DIMENSIONS



BEAM ANGLE & CENTER LUX COMPARISON

Product	Beam Angle	Field Angle	Center Lux Ratio
T360 Original	51.4°	97.4°	100%
T360 2" Fresnel Lens	37.9°	73.7°	139%

OPTIONAL ACCESSORIES



2" Fresnel Lens



Snoot



Dome Diffuser

ORDERING GUIDE

KST360 - -

Model	Finish
TS Tuna Sun	BK Black
TB Tuna Blue	WH White

Example: KST360-TS-BK