

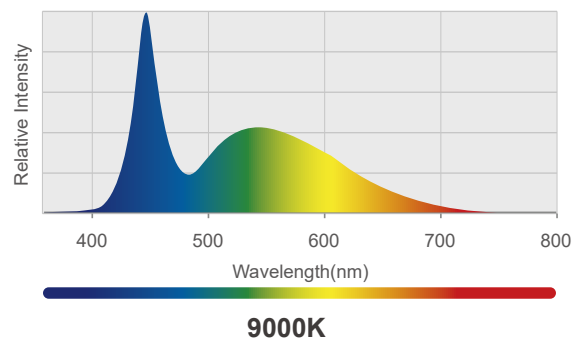
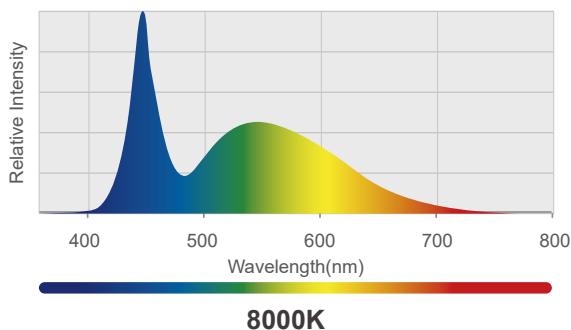
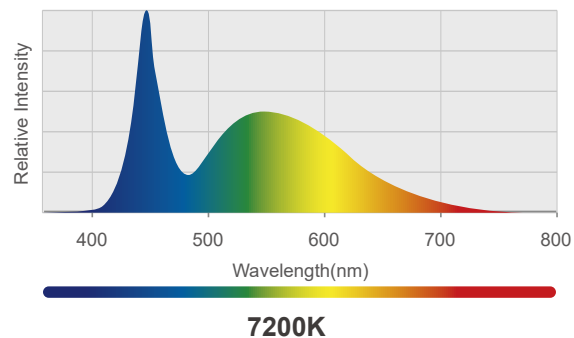
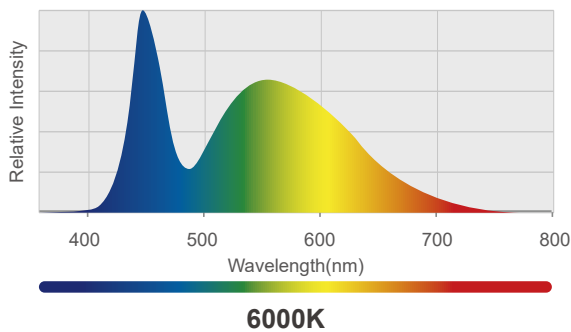
# T365 Tuna Sun LED Track Grow Light

Full Spectrum, Tunable CCT, High Yield



<b>Power Consumption</b>	85WAC Max.
<b>Input Voltage</b>	120VAC / 60Hz
<b>LED Source</b>	DiCon's Dense Matrix LED
<b>Dimensions (w/ barndoors)</b>	L12 1 <sup>9</sup> / <sub>32</sub> " x W 8 1 <sup>3</sup> / <sub>64</sub> " x H 11 1 <sup>9</sup> / <sub>32</sub> " L320mm x W208 mm x H295 mm
<b>Dimensions (w/o barndoors)</b>	L 8 1 <sup>3</sup> / <sub>32</sub> " x W 8 1 <sup>3</sup> / <sub>64</sub> " x H 7 1 <sup>1</sup> / <sub>2</sub> " L213mm x W208 mm x H190 mm
<b>Light Body Material/Finish</b>	Plastic / Black or White
<b>Weight (w/ barndoors)</b>	4.08 lbs / 1.85 kg
<b>Weight (w/o barndoors)</b>	3.57 lbs / 1.62 kg
<b>Thermal</b>	Advanced Heat Sink Cooling
<b>Heat Value</b>	232.55 BTU/hr
<b>Acoustic Noise</b>	< 21dB
<b>Operating Temp</b>	32 - 104°F / 0° - 40°C
<b>Color Temperature</b>	6,000K - 9,000K
<b>Dimming</b>	2 - 100%
<b>Control</b>	Manual, DMX
<b>Display</b>	OLED Screen
<b>Installation</b>	EUTRAC Track
<b>Applications</b>	Living Walls, Public Aquariums, Aquaculture

## OPTICAL SPECTRUM

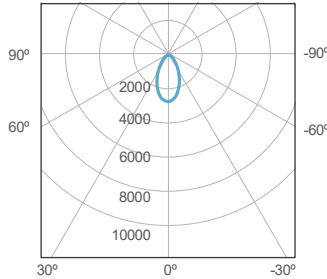


## LIGHT DISTRIBUTION IN LUX



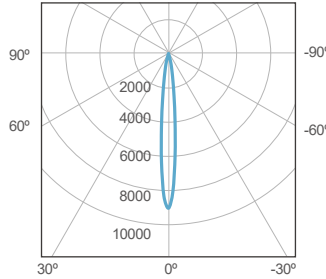
### T365 5" Zoom Lens / Flood

Beam Angle  $\phi$ : 36.3°

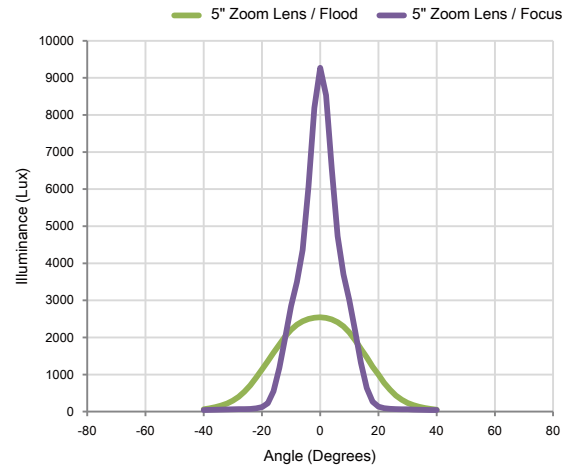


### T365 5" Zoom Lens / Focus

Beam Angle  $\phi$ : 11.9°



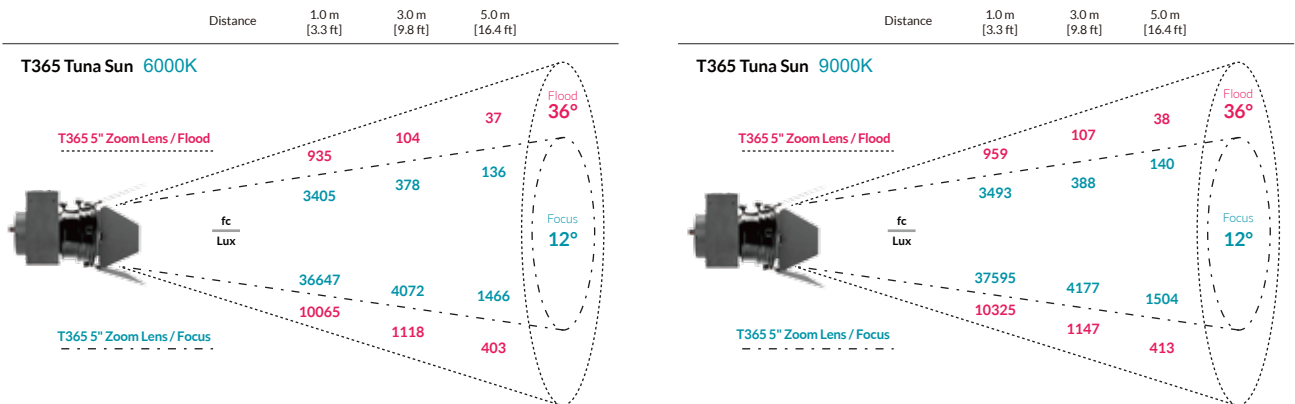
## BEAM PROFILE



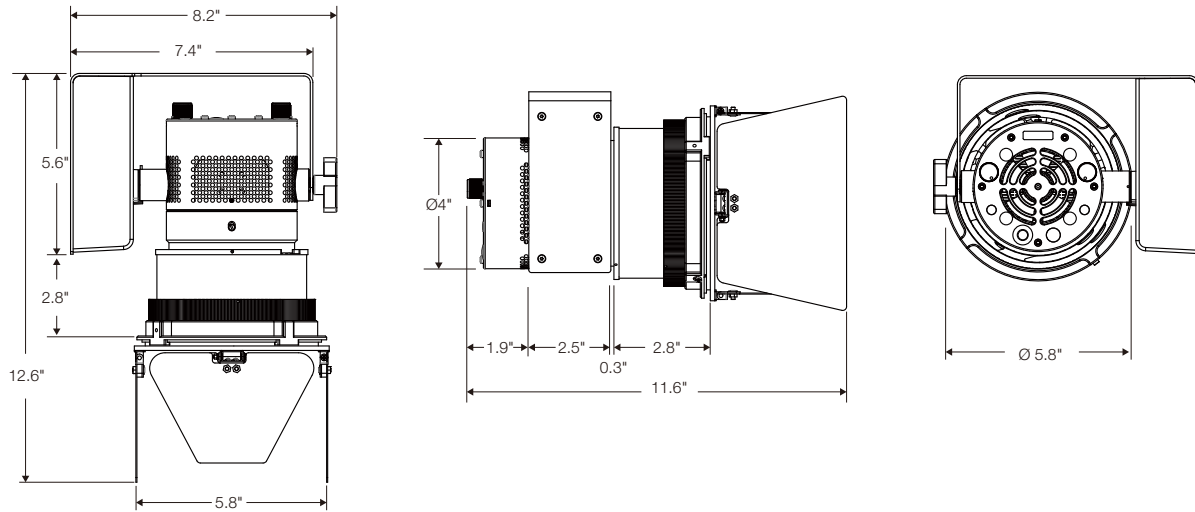
## ILLUMINATION TABLE

Tuna Sun	Status	Beam Angle	meter					
			ft.	1	2	3	5	7
6000K	T365 5" Zoom Lens / Flood	36°	Center Foot Candles (fc) [ Center Lux ]	935	234	104	37	19
	T365 5" Zoom Lens / Focus	12°		[10065]	[2516]	[1118]	[403]	[205]
9000K	T365 5" Zoom Lens / Flood	36°		3405	851	378	136	69
	T365 5" Zoom Lens / Focus	12°		[36647]	[9162]	[4072]	[1466]	[748]
	T365 5" Zoom Lens / Flood	36°		959	240	107	38	20
	T365 5" Zoom Lens / Focus	12°		[10325]	[2581]	[1147]	[413]	[211]
				3492	873	388	140	71
				[37595]	[9399]	[4177]	[1504]	[767]

## ILLUMINATION CHART



**MECHANICAL DIMENSIONS**



**BEAM ANGLE & CENTER LUX COMPARISON**

Product	Beam Angle	Field Angle	Center Lux Ratio
T365 <b>5" Zoom Lens / Flood</b>	36.3°	60.6°	100%
T365 <b>5" Zoom Lens / Focus</b>	11.9°	30.0°	364%

**ORDERING GUIDE**

**KST365** -  -

<b>Model</b>	<b>Finish</b>
<b>TS</b> Tuna Sun	<b>BK</b> Black
<b>TB</b> Tuna Blue	<b>WH</b> White

Example: KST365-TS-BK