

Gooseneck Quick Start Guide

A Series

Qty 1 * Gooseneck Base



Qty 2 * Plastic Screw



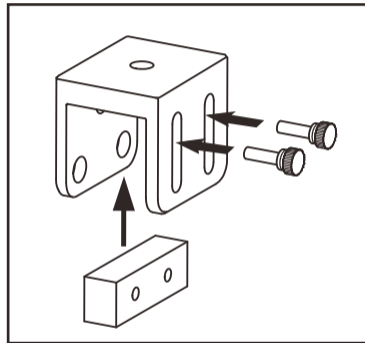
Qty 1 * Plastic Stepper



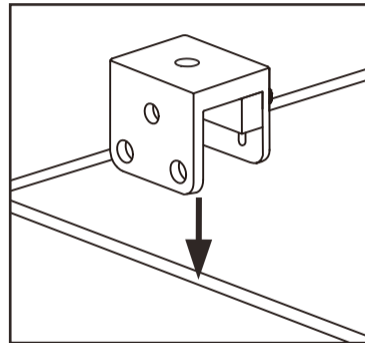
Qty 2 * Thumb Screw



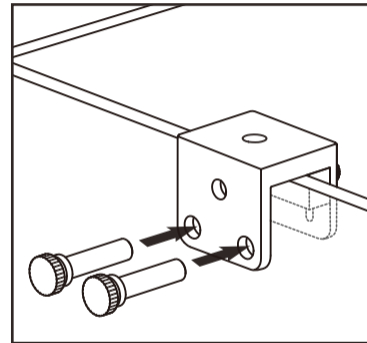
(A) Gooseneck base attachment instructions



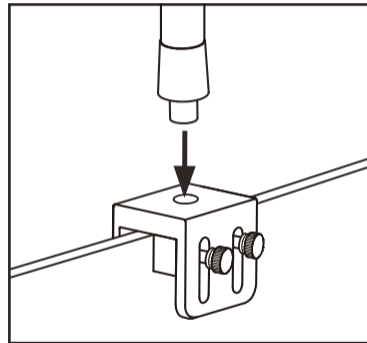
A1. Insert plastic stepper into gooseneck base and secure with plastic screws.



A2. Place gooseneck base onto aquarium.

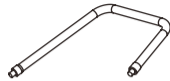


A3. Screw thumb screws into gooseneck base to secure the base to aquarium.



A4. Screw gooseneck into the gooseneck base.

Qty 1 * Gooseneck



Qty 1 * A3XX Bracket

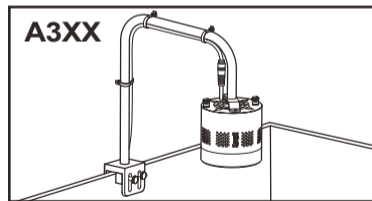
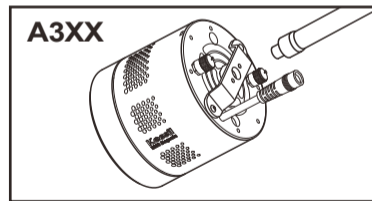
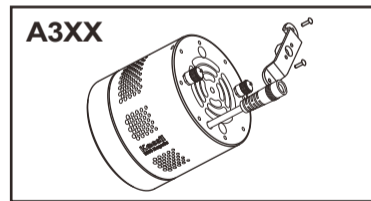
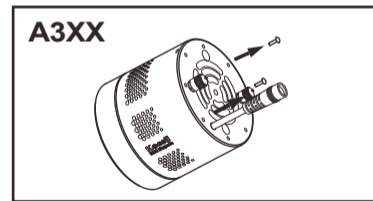
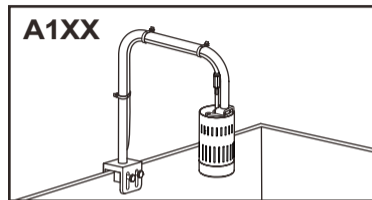
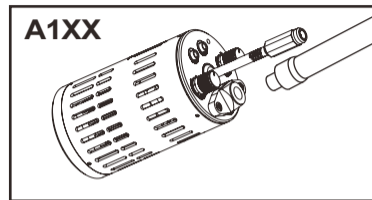
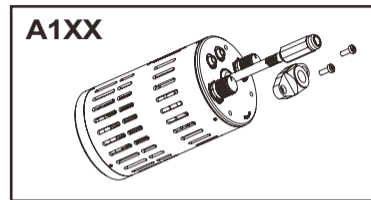
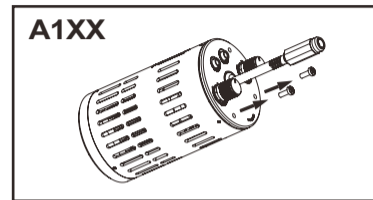


Note : A1XX Bracket included
in the product

Kessil®

<http://www.kessil.com>

(B) Unit attachment instructions



B1. Remove and reserve screws
for step B2.

B2. Secure designated bracket to
unit with screws from step B1.

B3. Screw gooseneck to attach
the bracket.

B4. Connect the power supply
and adjust gooseneck.