

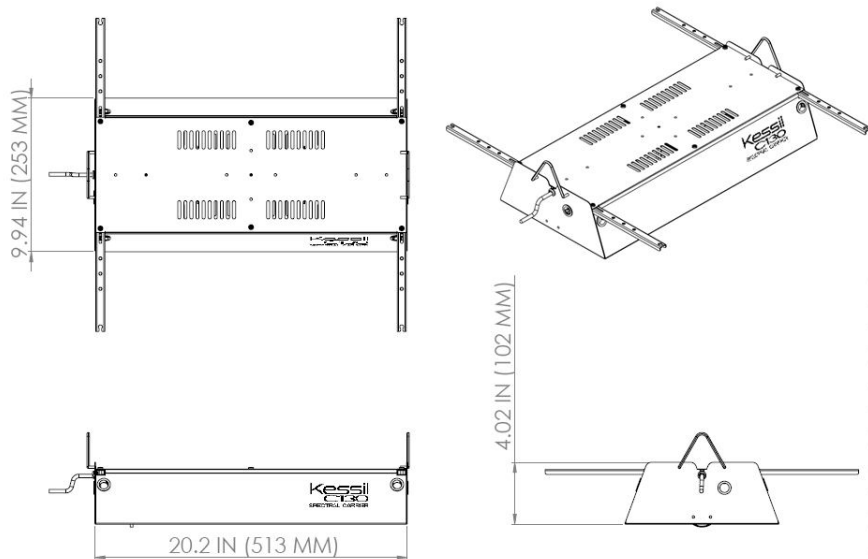
Electrical Specifications

Listed Power Supply (4x)

Input	100-200 VAC 47-63 Hz
Output	54 VDC, 1.7 A
Total Power Consumption**	368 W MAX

Total Power Consumption of assembled **C130-QH with four **H350**'s

Mechanical Dimensions



Required Tools



Philips Screwdriver

Kessil Lighting

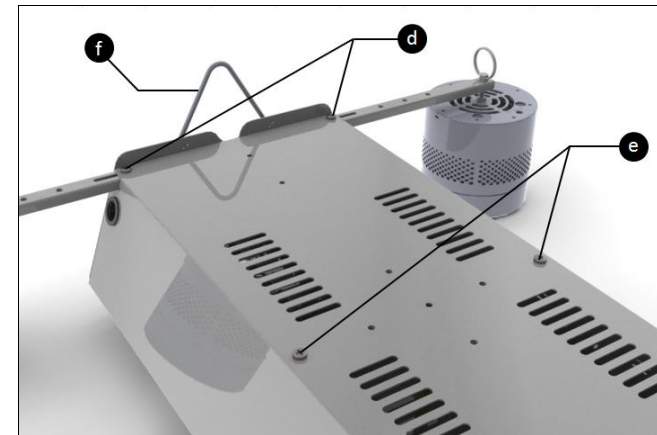
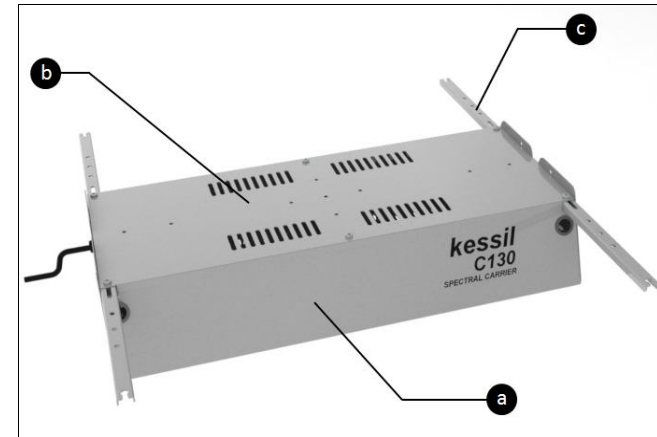
1689 Regatta Blvd
Richmond, CA 94804
www.kessil.com

Copyright © 2011 All Rights Reserved

KESSIL C130-QH SPECTRAL CARRIER User Manual

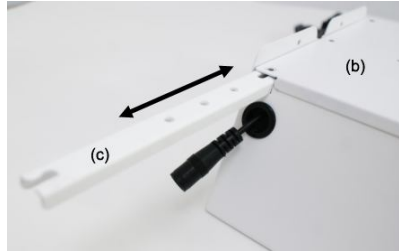
Package Contents

- | | | | |
|-----------------|------|------------------|------|
| a. Base Housing | (1x) | d. Screw M4X12 | (4x) |
| b. Base Cover | (1x) | e. Screw M4X8 | (3x) |
| c. Hanging Bar | (4x) | f. Triangle Hook | (2x) |

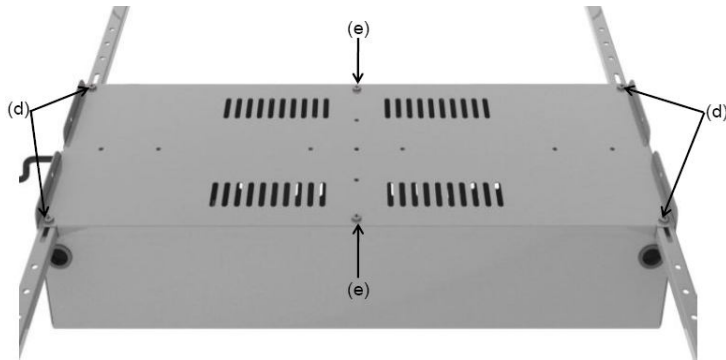


Installation Guide

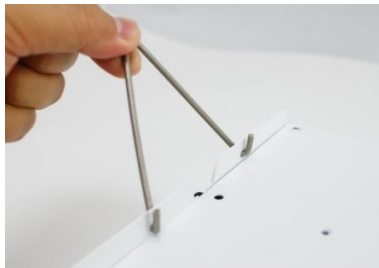
1. Remove contents from package. Four H350 LED grow light power supplies have been pre-installed into the unit.
2. Insert the **Hanging Bars (c)** after sliding in place and adjusting length. Place the **Base Cover (b)** over the unit.



3. Secure **Screws (d, e)**.



4. Loop the **Triangle Hooks (f)** through holes at the ends of the unit.



5. Mount the LED grow light using the grow lights' screws through the holes on the **Hanging Bars (c)**. Plug the grow light cable into the piece of the power supply hanging out.



6. Hang **C130-QH Spectral Carrier** one to two feet above object to be illuminated and plug in the integrated power supply.



Safety Instructions

1. The **C130-QH** is designed for indoor use only.
2. **DO NOT** expose the product to a high humidity environment. It may damage the LED grow lights used with the product.
3. **DO NOT** cover or place objects over the **C130-QH**. It should not be contained in an airtight space.