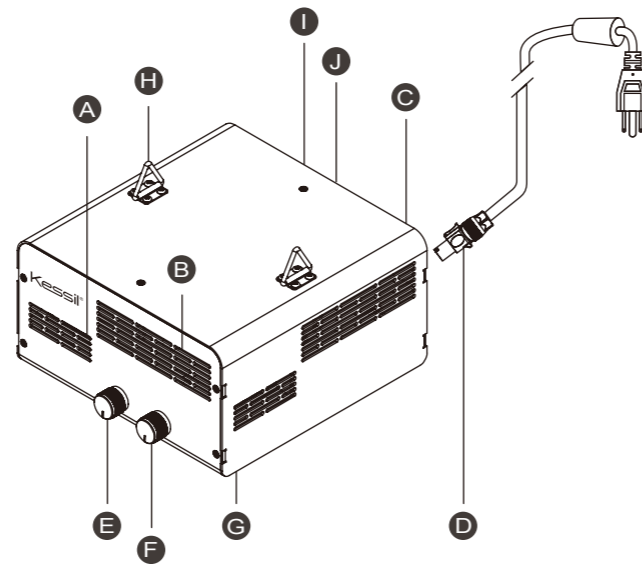


# Kessil® H1200

OWNER'S MANUAL



## PARTS DIAGRAM



- A** Air Vent
- B** Air Intake
- C** AC Power Connector
- D** Power Cable
- E** Spectrum Control
- F** Light Intensity Control
- G** Lens
- H** Triangle Hook
- I** Input Port
- J** Output Port

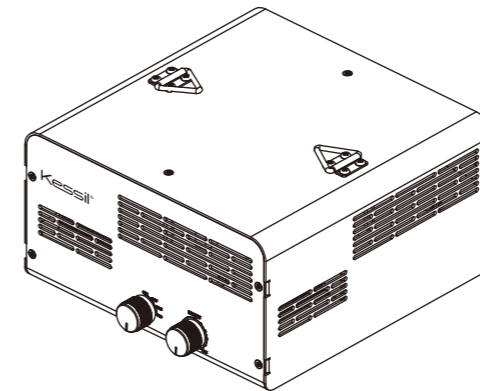
## PRODUCT SPECIFICATIONS

H1200	
Power consumption	380W MAX
Input Voltage	90-277 VAC, 50-60Hz

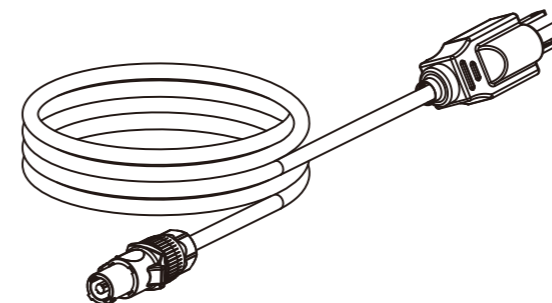
\* For other types of plug, please visit [kessil.com](http://kessil.com) for more information.

## INSIDE THE BOX

• H1200 x 1



• Power Cable (20 feet) x 1



**Like Us**  
[facebook.com/Kessil.LED](https://facebook.com/Kessil.LED)



**Watch Us**  
[youtube.com/KessilTube](https://youtube.com/KessilTube)



**Follow Us**  
[twitter.com/Kessil](https://twitter.com/Kessil)



**Visit Us**  
Scan this code on your device to learn more about Kessil

**Kessil Lighting**  
A DiCon Brand  
1689 Regatta Blvd, Richmond, CA 94804  
(510) 620-5250  
[www.kessil.com](http://www.kessil.com)

**Kessil Lighting**  
A DiCon Brand  
1689 Regatta Blvd, Richmond, CA 94804  
(510) 620-5250  
[www.kessil.com](http://www.kessil.com)

## INSTALLATION GUIDE

1. Remove contents from package.
2. Hang H1200 2 ft. (minimum) above the object to be illuminated.(Please use the Triangle Hooks (H) to hang H1200). \*
3. Plug the AC power cable (D) into the AC power connector (C) and into an outlet with the correct specifications (see product specifications for more information).
4. Adjust the Light Intensity Control (F) and the Spectrum Control (E) to the desired setting. "Blue & Grow" sets the spectrum to Blue and Deep Purple, ideal for vegetative growth. "Bloom & Red" sets the spectrum to Magenta and Red, ideal for the flowering stage.
5. For sufficient airflow, the Air Vent and Air Intake holes (A,B) should be at least 12 in. from surrounding obstructions.

\* H1200 should be suspended to ceiling or wall which is 0.37 inch (9.5mm) thick hardwood or stronger mechanical construction.

## SAFETY INSTRUCTIONS

1. DO NOT use outdoors. This unit is intended for indoor use only.
2. DO NOT expose unit to an extremely humid environment or submerge unit in water. This may lead to unit failure.
3. DO NOT place working illuminator in close contact with any objects. This may cause objects to heat up and the unit to overheat.
4. KEEP lenses (G) away from sharp objects. Sharp objects may break the lens and lead to unit failure.

## INSTRUCTIONS DE SECURITE

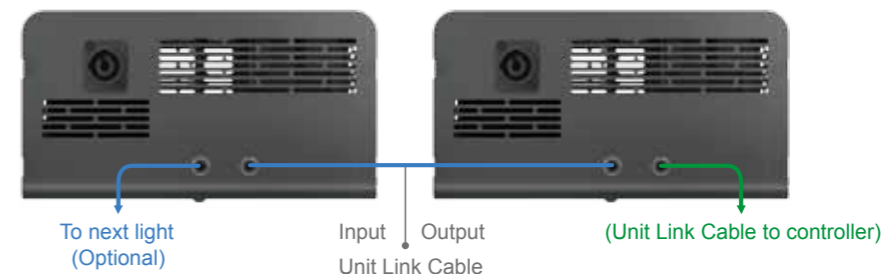
1. NE PAS UTILISER à l'extérieur. Cette unité est prévue pour une utilisation en intérieur.
2. N'EXPOSEZ PAS l'unité à un environnement extrêmement humide ou ne submergez pas l'unité dans l'eau. Cela pourrait endommager l'unité.
3. NE PLACEZ PAS l'illuminateur en marche, en contact direct avec d'autres objets. Cela pourrait causer un réchauffement trop élevé de ces derniers et pourrait faire surchauffer l'unité.
4. GARDEZ la lentille (G) à l'écart des objets pointus. Les objets pointus pourraient casser la lentille et endommager l'unité.

## MAINTENANCE

1. Keep Air Vent and Air Intake (A,B) clear of dust. To clean the fan, turn unit off, insert the tip of a CO<sub>2</sub> dust blower (or similar dust blower) in one of the slots (B) on the unit's outer shell. Hold and spray.
2. Keep the lenses (G) clean. If the lenses become contaminated with water, dust or other particles, turn off the unit and clean it with isopropyl alcohol. Wet a cotton swab or a napkin in isopropyl alcohol and gently wipe the surface of the lens and let it dry.

## TROUBLESHOOTING GUIDE

Problem	Cause / Solution
<b>Light doesn't turn ON</b>	Make sure the power cable is firmly plugged into the AC Power Connector (C) and an outlet with the correct specifications.
	Make sure electrical power is available to the AC outlet being used.
	Make sure the device is operating within the specified operating temperature range. If unit overheats, it will automatically shut down.
	Wait for around 5 seconds for the light to turn on if the AC power is being reconnected.
<b>Unit is flickering</b>	Make sure the unit has not overheated by operating at a room temperature exceeding 100°F / 40°C.
	Clean unit with compressed CO <sub>2</sub> .
	If the light is connected to the controller or other lights using a cable, make sure the cable is plugged snugly into the port.



## Controllability

Multiple H1200 lights can be controlled by either a Kessil Horticulture Spectral Controller or manually.

### CABLES

Available cables:  
Unit Link Cable (20' male/male with 1/8" (3.5mm) Stereo Phone Cable).

### STARTING A CHAIN

Connect two or more lights with the Kessil Unit Link Cable, as shown above.

### CONTROL METHODS

There are two ways to control a chain of lights:

- With an external controller;
- Without external controller (Turning Controls on first light controls all other lights in the chain).

Should a longer cable be needed, a Kessil Control Extension Cable may be used.

Any number of lights can be daisy chained together without degradation of signal. However, in longer chains a slight delay in response may occur.

When unit(s) is operated using a controller, manual controls are disabled.